

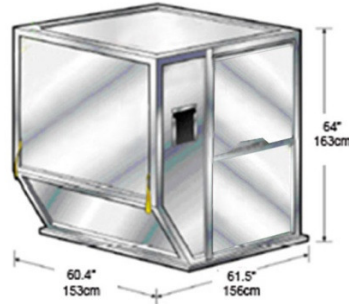
UNIT LOAD DEVICE

CONTAINER

For the carriage of most general cargo, baggage and mail.

Type Code

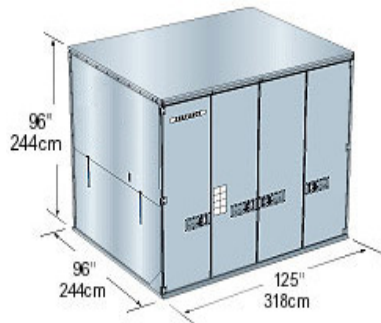
DPE



| | |
|--|--------------------|
| Also known as | DPA, APA, DPN |
| ATA code | LD2 |
| Internal Volume | 116 cu. ft. 3.3 mc |
| Tare Weight | 70 kg |
| Weight Limitation Inc. ULD Tare Weight | 1,225 kg |
| Loadable Aircraft Type | B767 |

Type Code

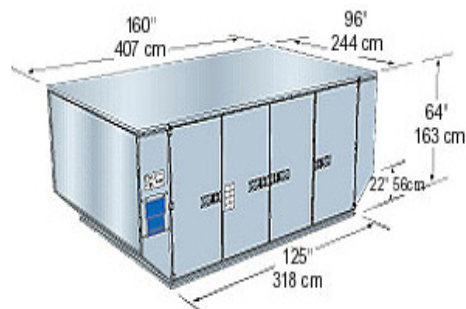
AMA



| | |
|--|---------------------|
| ATA code | M1 |
| Internal Volume | 621 cu. ft. 17.58mc |
| Tare Weight | 477 kg |
| Weight Limitation Inc. ULD Tare Weight | 6,804 kg |
| Loadable Aircraft Type | 747F, Airbus |

Type Code

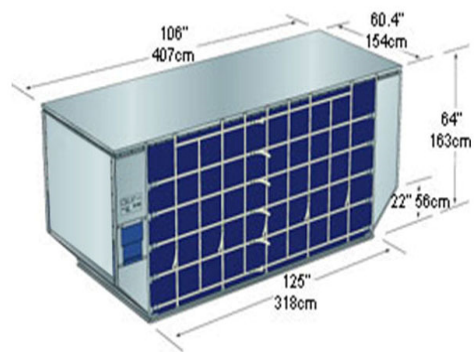
AMF



| | |
|--|------------------------|
| ATA code | LD36 |
| Internal Volume | 516 cu. ft. 14.6 mc |
| Tare Weight | 315 kg |
| Weight Limitation Inc. ULD Tare Weight | 5,035 kg |
| Loadable Aircraft Type | 747, 747F, 777, Airbus |

Type Code

ALF



Also known as

AWA, AWF, AWC

ATA code

LD6

Internal Volume

310 cu. ft., 8.78 mc

Tare Weight

157 kg

Weight Limitation Inc. ULD Tare Weight

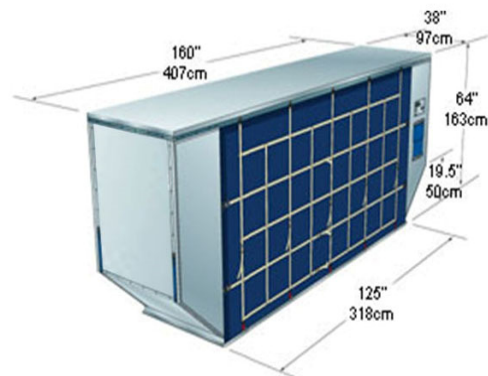
3,175 kg

Loadable Aircraft Type

747, 747F, 777, Airbus

Type Code

DXP



Internal Volume

198 cu. ft., 5.6 mc

Tare Weight

100 kg

Weight Limitation Inc. ULD Tare Weight

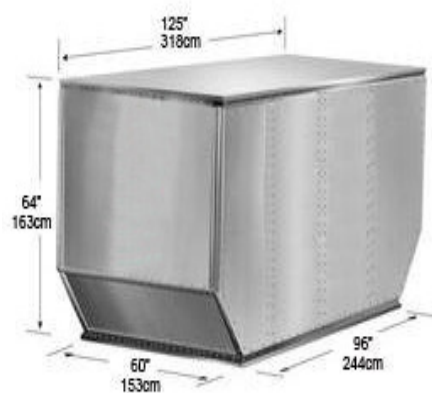
1,998 kg

Loadable Aircraft Type

747

Type Code

DQF



Also known as

ALE, DQP

ATA code

LD8

Internal Volume

245 cu. ft., 6.94 mc

Tare Weight

138 kg

Weight Limitation Inc. ULD Tare Weight

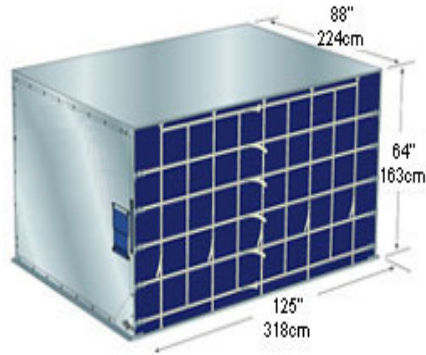
2,449 kg

Loadable Aircraft Type

B767 / 777

Type Code

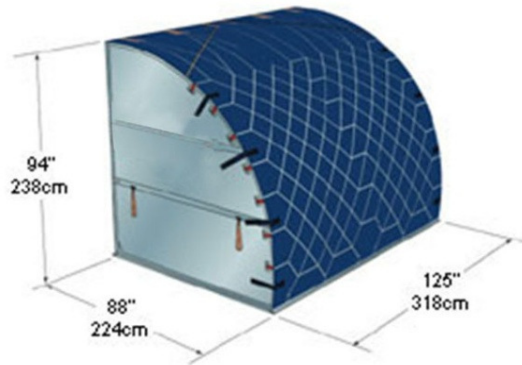
AAP



| | |
|--|------------------------------|
| ATA code | LD9 |
| Internal Volume | 371 cu. ft., 10.5 mc |
| Tare Weight | 220 kg |
| Weight Limitation Inc. ULD Tare Weight | 4,626 kg (LD), 6,033 kg (MD) |
| Loadable Aircraft Type | 747 , 767, Airbus |

Type Code

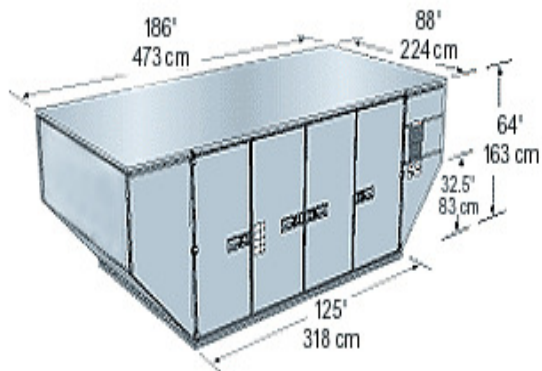
AAX



| | |
|--|----------------------|
| ATA code | n/a |
| Internal Volume | 492 cu. ft., 13.9 mc |
| Tare Weight | 225 kg |
| Weight Limitation Inc. ULD Tare Weight | 6,033 kg (MD) |
| Loadable Aircraft Type | 747 , Airbus |

Type Code

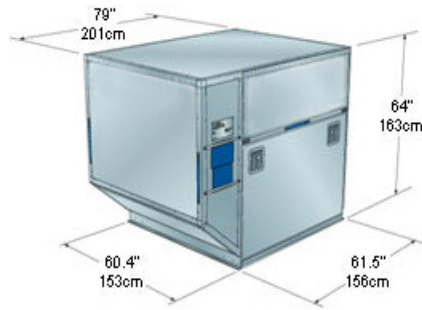
AAU



| | |
|--|----------------------|
| ATA code | LD29 |
| Internal Volume | 505 cu. ft., 14.3 mc |
| Tare Weight | 355 kg |
| Weight Limitation Inc. ULD Tare Weight | 4,626 kg |
| Loadable Aircraft Type | 747, 747F |

Type Code

AKE



Also known as

AVE, AKN, AVA, AVB, AVC, AVK, DVP

ATA code

LD3

Internal Volume

152 cu. ft, 4.3mc

Tare Weight (Fabric door / Metal door)

73 kg / 100 kg

Weight Limitation Inc. ULD Tare Weight

1,588 kg

Loadable Aircraft Type

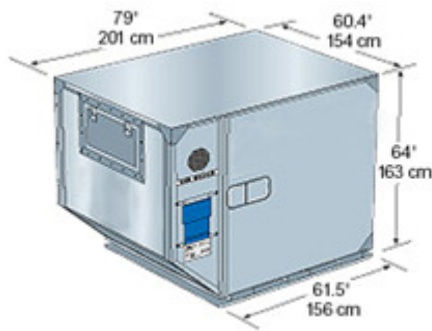
747, 747F, 767, 777, MD-11F, Airbus

COOLTAINER

mainly for the carriage of perishable cargo, for example: fruits, vegetables, flowers, fishes etc.

Type Code

RKN



ATA code

LD3

Internal Volume

125.41 cu. ft., 3.55 mc

Tare Weight

190 kg

Weight Limitation Inc. ULD Tare Weight

1,588 kg

Loadable Aircraft Type

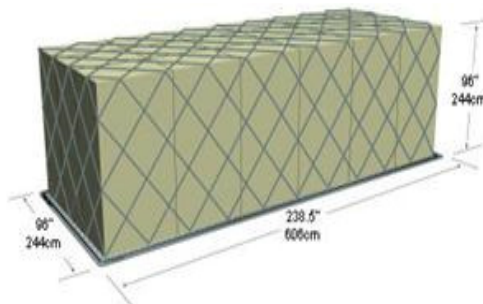
747, 747F, 777, Airbus

PALLET

flat sheets of aluminum on which shipment pieces are stacked. Each pallet is usually covered with a net to secure loose pieces.

Type Code

PGA



Size

Base: 96" x 238.5"

Height: 96" (Q6 Contour), 1.18" (Q7 Contour)

Tare Weight

565 kg

Weight Limitation Inc. ULD Tare Weight

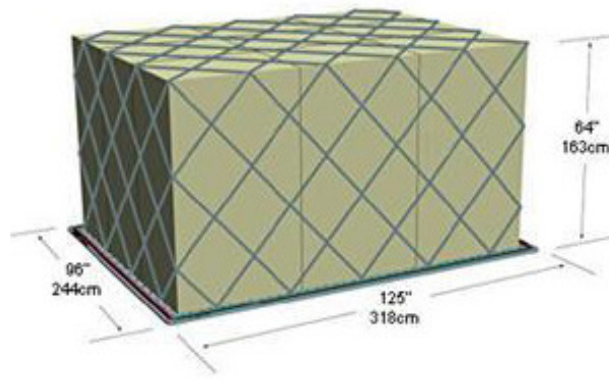
11,340 kg

Loadable Aircraft Type

747F

Type Code

PMC, PQP, P6P



Size

Base: 96" x 125"

Height: 64" (passenger flight), 96" (Q6 Contour),
118" (Q7 Contour)

Tare Weight

120 kg

Weight Limitation Inc. ULD Tare Weight

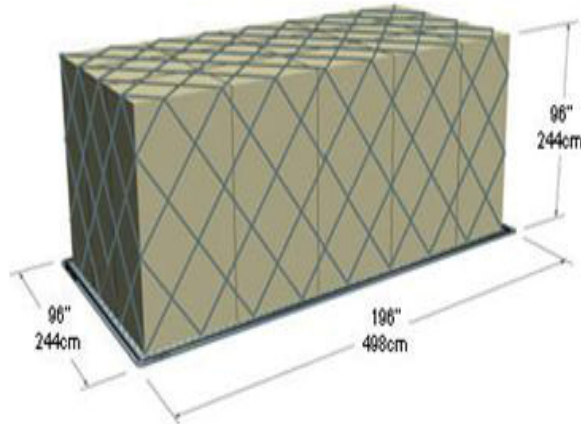
5,035 kg (LD), 6,804 kg (MD)

Loadable Aircraft Type

747, 747F, 777, Airbus

Type Code

PRA



Size

Base: 96" x 196"

Height: 96" (Q6 Contour), 118" (Q7 Contour)

Tare Weight

398 kg

Weight Limitation Inc. ULD Tare Weight

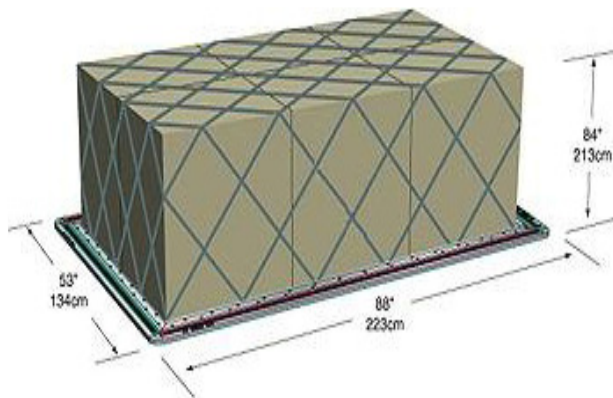
11,340 kg (MD)

Loadable Aircraft Type

747F

Type Code

PEB



Size

Base: 53" x 88"

Height: 84"

Tare Weight

55 kg

Weight Limitation Inc. ULD Tare Weight

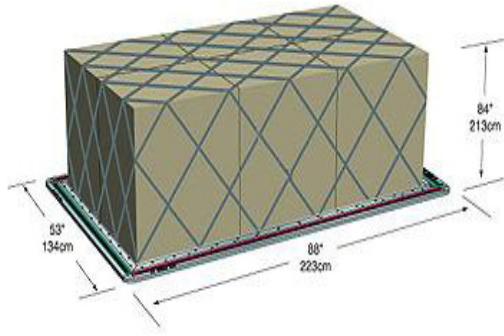
1,800 kg (B-HIH - 1,300 kg)

Loadable Aircraft Type

747F

Type Code

P1P, PAG



Size

Base: 88" x 125"

Height: 64" (Passenger flight), 96" (Q6 Contour),
118" (Q7 Contour)

Tare Weight

114 kg

Weight Limitation Inc. ULD Tare Weight

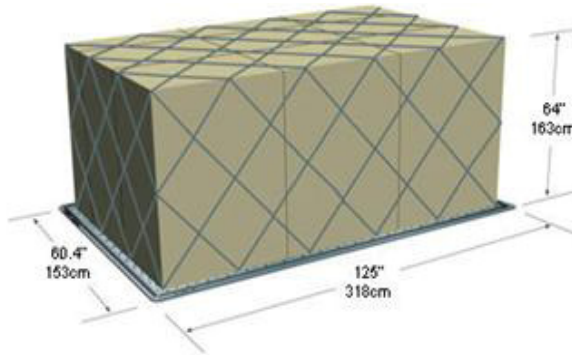
4,626 kg (LD), 6,033 kg (MD)

Loadable Aircraft Type

747, 747F, 777, Airbus

Type Code

PLA



ATA code

LD11

Also known as

PLB, P9A, PQF, P9P, P9R, P9S

Internal Volume

245.27 cu. ft., 6.94 mc

Tare Weight

91 kg

Weight Limitation Inc. ULD Tare Weight

3,175 kg

Loadable Aircraft Type

747, 777, Airbus